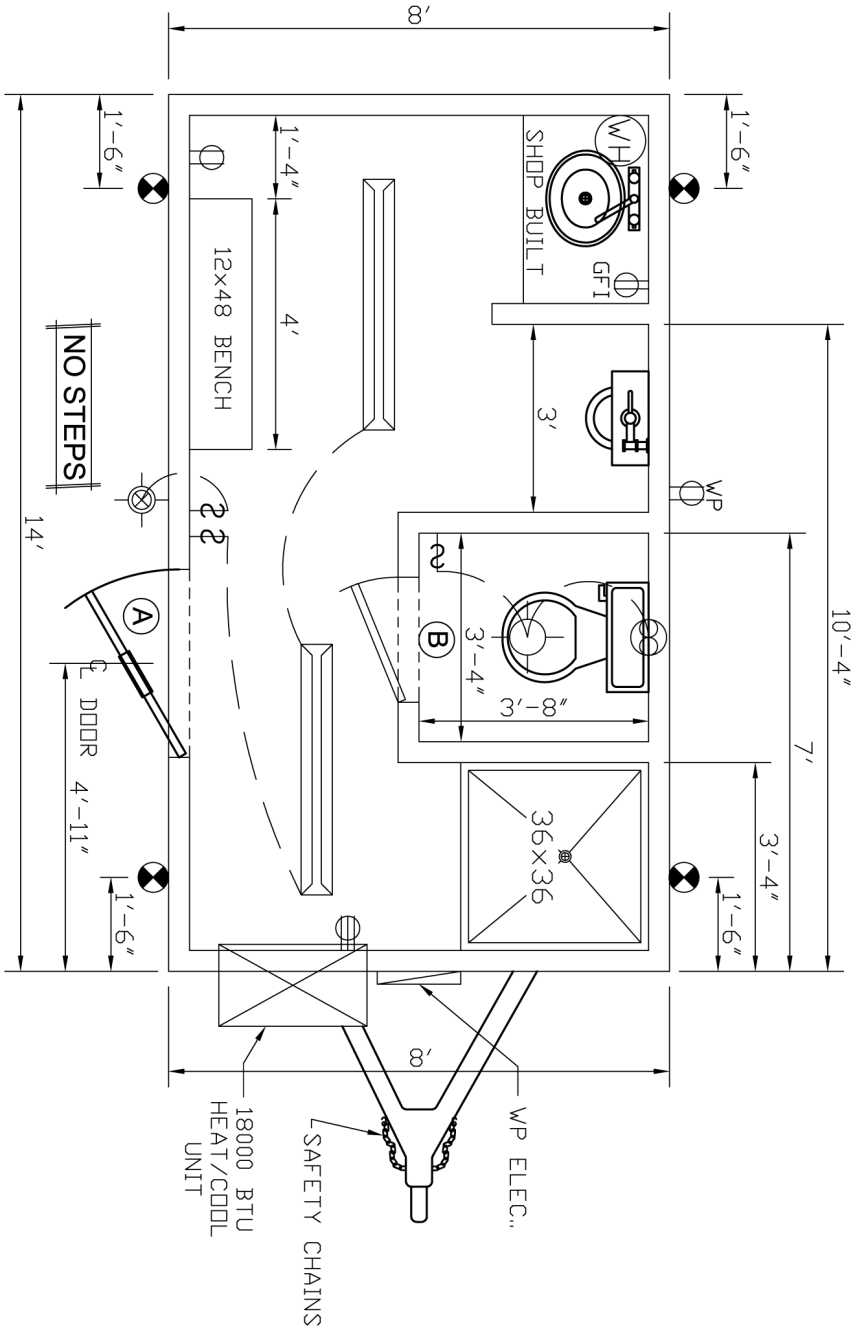


NOTES:

- 1: INSTALL LEVER ENTRY LOCKSET, DEAD BOLT AND 10X10 WINDOW IN DOOR
- 2: ⊗=INDICATES TIE DOWN LOCATION (4 PLACES)



DOOR	SCHEDULE	DESCRIPTION	HARDWARE
MARK	SIZE	DESCRIPTION	SEE NOTE #1
A	36 x 80	MD-300 SERIES	
B	24 x 80	PREFIN. H. C.	PRIVACY

SYMBOL LEGEND FOR ELECTRICAL

- = 4' FLUORESCENT 2-TUBE, DIFFUSED LIGHT
- = 110V DUPLEX RECEPTACLE
- = 110V GFI DUPLEX RECEPTACLE
- = 220V A/C RECEPTACLE
- = 125 AMP BREAKER BOX (WP) EXTERIOR
- = INTERIOR LIGHTS SWITCHES
- = GLOBE LIGHT
- = PORCH LIGHT
- = 20 GAL. ELECTRIC WATER HEATER
- = EXHAUST FAN (THRU WALL)

COLOR
WHITE BODY
GREEN WALL CORNERS
GREEN ROOF CORNERS

GENERAL SHELTERS OF TEXAS, INC.



GENERAL SHELTERS OF TEXAS
P.O. BOX 2108 DEPT. C
HWY. 87 NORTH - CENTER, TX 75935

TITLE: FLOOR PLAN	
CUSTOMER:	
PROJECT: 8' x 14' MOBILE BUILDING	JOB NO. 080310
DATE: M. CARL	DATE: 8/03/10
SCALE: NONE	

SHEET FP-1